

# Motorized Polarizer Rotator

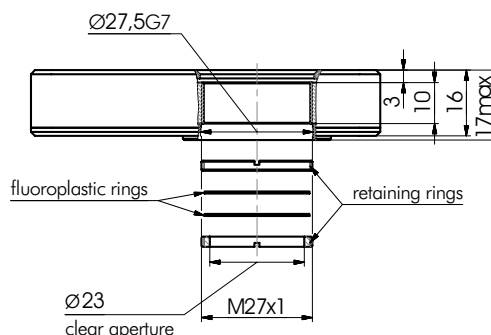
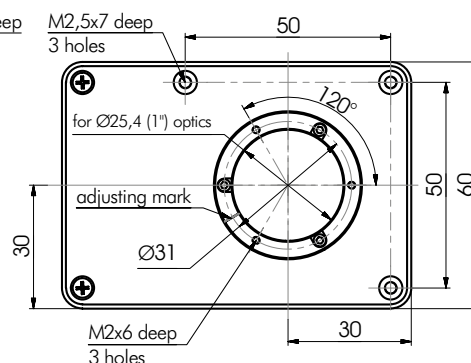
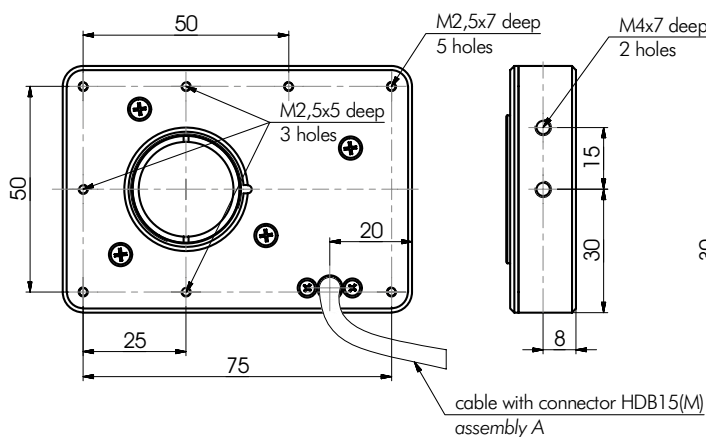
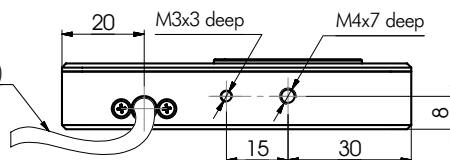
## 8MPR16-1

**new**



- Ultra-thin compact design
- For 1" (25.4 mm) optics by default
- Low optical axis height
- High stability and accuracy
- Cage system compatibility
- Adapters for other optics dimensions available

cable with connector HDB15(M)  
standard assembly



### SPECIFICATIONS

Rotation range	360°
Optics	Ø1" (25.4 mm)
Available adapters for prisms	Ø0.5" (12.7 mm) 10 x 10 mm 12 x 12 mm 14 x 14 mm 16 x 16 mm
Resolution in full step	0.75 arcmin (80 steps = 1°)
Resolution 1/256 (Theoretical)	0.17 arcsec
in 1/8 step	4.5 arcmin
Home position accuracy	<1 arcmin
Eccentricity	10 µm
Max. speed	4 turns/min
Limit switches	Hall Sensor (1 pcs.)
Switch polarity	Pushed is closed
Gear reduction rate	1:90
Load capacity	
Vertical	1 kg
Horizontal	0.4 kg
Recommended controllers	8SMC4-USB
Connector	HDB15(M)
Cable length	1.2 m
Base material	Aluminum
Finish	Black anodizing
Environment pressure	Atmosphere (10 <sup>-3</sup> torr on request)
Weight	0.25 kg

### Recommended Controllers

Stepper/DC Motor  
Controller  
with USB Interface



**8SMC4-USB-B8-1**  
1 axis Controller in box

Optical Tables	1
Brackets & Rails	2
Base Mounts & Accessories	3
Optical Mounts	4
Optical Positioners	5
Base Positioners	6
Translation & Rotation Stages	7
Motorised Positioners & Controllers	8
Fine Adjustment Screws	9
Opto-Mechanics & Sets	10
Light Test & Measurement Instruments	11
Lasers & Accessories	12



www.standa.it

e-mail: sales@standa.it



Fax: +370-5-2651483

Phone: +370-5-2651474

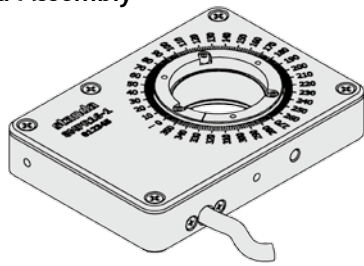


**standa**



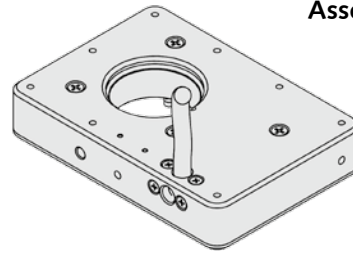
## Motorized Polarizer Rotator could be supplied in two versions

**Standard Assembly**



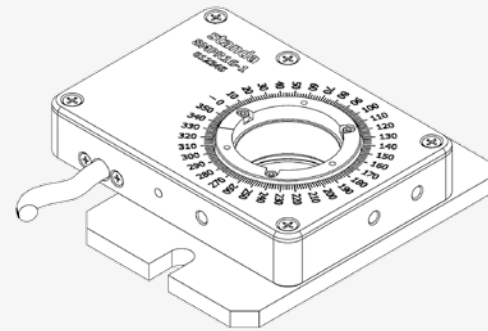
Cable goes perpendicular relative to optical axis.

**Assembly A**

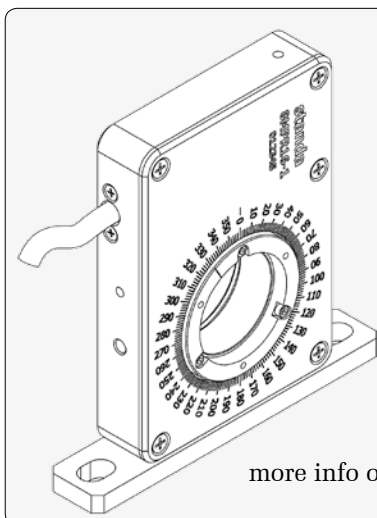


when cable goes coaxial to optical axis (should be mentioned in the inquiry).

**8MPR16-1 Motorized Polarizer Mount** provides smooth, high accuracy, high repeatability and stability continuous 360° rotation of the polarization optical components with diameters up to **1" (25.4 mm)** or **1/2" (12.7 mm)**, **Glan Taylor prisms** and **other objects**. Ultra-thin profile of the stage minimizes difficulties of polarizers integration in optical schemes and systems with small gaps between elements. **Motorized Polarizer Rotator** has a low optical axis height relative to the mounting base. Additional plates installation on the rotator for 30 mm and 60 mm cage systems are allowable. There are two fluoroplastic rings and two retaining rings for 1" (25.4 mm) optics fixing which are included in standard stage set.



**Horizontal mounting Base Plate  
3BP8MPR16-1**  
more info on [www.standa.lt](http://www.standa.lt)



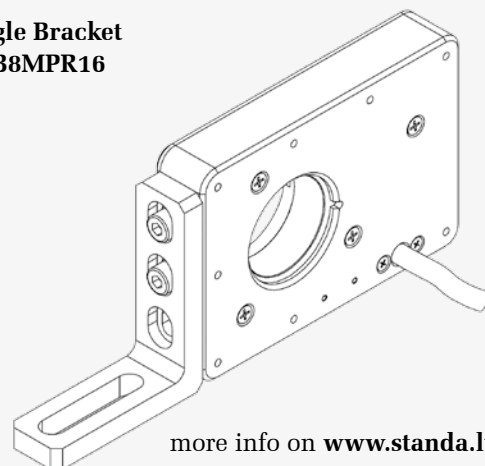
**Base Plate  
3BP8MPR16**

more info on [www.standa.lt](http://www.standa.lt)

There are **M4 mounting holes** at the sides of the motorized rotator for fixing it according to the requirements, available space and situation. It can be fixed on mounting posts or connected with adjustable plates and angle brackets. Stage can be used in horizontal position using base plate **3BP8MPR16-1**.

**8MPR16-1** can be equipped with adapter for prism up to 16 x 16 mm, also with adapter for 0.5 inch optics or rotating platform with M3 holes.

**Angle Bracket  
2AB8MPR16**



more info on [www.standa.lt](http://www.standa.lt)

*Available  
adapters for  
Ø0.5" (12.7 mm) Optics  
and for  
Prisms  
more info on  
[www.standa.lt](http://www.standa.lt)*