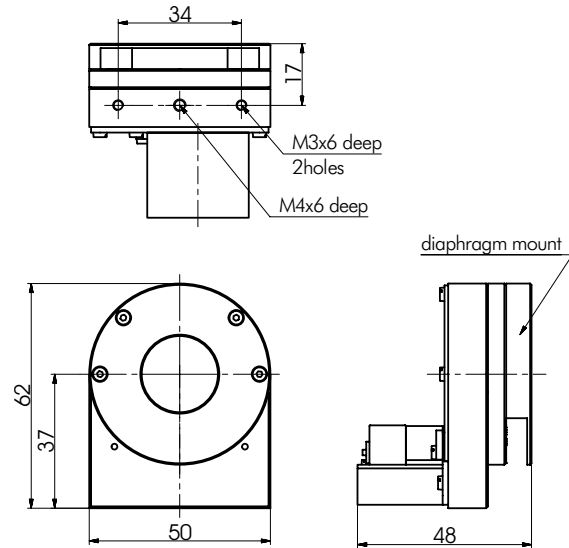


Motorized Iris Diaphragm

8MID10-40



8MID Motorized Iris Diaphragms are available with various aperture ranges, with max. apertures from 5 mm to 98 mm.

Iris with max. apertures from 5 mm to 27 mm are shown on this page. For irises with max. apertures from 30 mm to 50 mm see page **8-81**. Motorized iris with max. aperture of 98 mm is shown on page **8-82**.

Iris with max. apertures up to 27 mm close from min. to max. in 1.2 seconds with resolution depending on aperture size (see table below).

Zero aperture motorized iris diaphragms are available on request, max. aperture sizes from 12 mm to 40 mm.

SPECIFICATIONS

Closing speed (min to max)	1.2 seconds
Stepper motor/gear	50:1
Limit switch	2 mechanical
Switch polarity	pushed is closed
Recommended controllers	8SMC4-USB

Model	Diaphragm used	dmax. aperture, mm	dmin. aperture, mm	average number of steps 1 mm of aperture
8MID5-0.5-AR	10IBS10-5-0.5-AR	5	0.5	385
8MID5-0.5-N	10IBS10-5-0.5-N	5	0.5	385
8MID7-0.5-AR	10IBS12-7-0.5-AR	7	0.5	301
8MID7-0.5-N	10IBS12-7-0.5-N	7	0.5	301
8MID8-1-N	10IBS14.8-8-1-N	8	1	244
8MID8.2-0.8-N	10IBS14-8.2-0.8-N	8.2	0.8	240
8MID12-1-AR	10IBS19.8-12-1-AR	12	1	180
8MID12-1-H	10IBS19.8-12-1-H	12	1	180
8MID12-1-N	10IBS19.8-12-1-N	12	1	180
8MID14-1-AR	10IBS22-14-1-AR	14	1	161
8MID14-1-N	10IBS22-14-1-N	14	1	161
8MID15-1-H	10IBS24-15-1-H	15	1	141
8MID15-1-N	10IBS24-15-1-N	15	1	141
8MID18-1-AR	10IBS28-18-1-AR	18	1	118
8MID20-1.2-AR	10IBS30-20-1.2-AR	20	1.2	106
8MID20-1.2-H	10IBS30-20-1.2-H	20	1.2	106
8MID20-1.2-N	10IBS30-20-1.2-N	20	1.2	106
8MID22-1.5-N	10IBS33-22-1.5-N	22	1.5	102
8MID25-1.5-N	10IBS37-25-1.5-N	25	1.5	89
8MID27-1.5-AR	10IBS40-27-1.5-AR	27	1.5	79
8MID27-1.5-H	10IBS40-27-1.5-H	27	1.5	79
8MID27-1.5-N	10IBS40-27-1.5-N	27	1.5	79

Temperature limits:

AR - leaves with AR coating, for temperatures up to 180 °C

N - springsteel, black finished, for temperatures up to 250 °C

H - stainless steel, for temperatures up to 400 °C



www.standa.it

e-mail: sales@standa.it



Phone: +370-5-2651483

Fax: +370-5-2651474



standa



Optical Tables

1 Brackets & Rails

2 Base Mounts & Accessories

3 Optical Mounts

4

Optical Positioners

5

Base Positioners

6

Translation & Rotation Stages

7

Motorised Positioners & Controllers

8

Fine Adjustment Screws

9

Opto-Mechanics & Sets

10

Light Test & Measurement Instruments

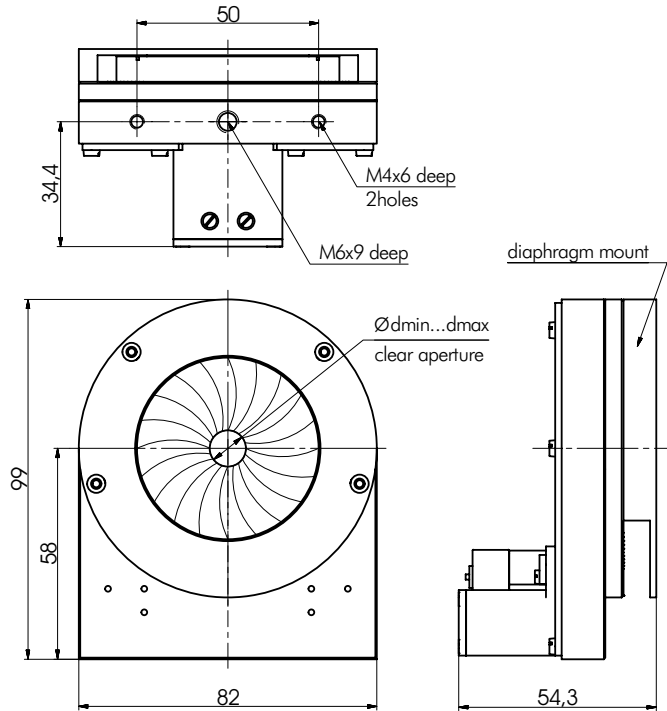
11

Lasers & Accessories

12

Motorized Iris Diaphragm

8MID40-70



8MID Motorized Iris Diaphragms are available with various aperture ranges, with max. apertures from 5 mm to 98 mm.

Iris with max. apertures from 5 mm to 27 mm are shown on **page 8-80**. For irises with max. apertures from 30 mm to 50 mm see this page. Motorized iris with max. aperture of 98 mm is shown on **page 8-82**.

Iris with max. apertures from 30 mm to 50 mm close from min. to max. in 2 seconds with resolution depending on aperture size (see table below).

Zero aperture motorized iris diaphragms are available on request, max. aperture sizes from 12 mm to 40 mm.

SPECIFICATIONS

Closing speed (min to max)	2 seconds
Stepper motor/gear	50:1
Limit switch	2 mechanical
Switch polarity	pushed is closed
Recommended controllers	8SMC4-USB

Temperature limits:	Model	Diaphragm used	dmax. aperture, mm	dmin. aperture, mm	average number of steps 1 mm of aperture
AR - leaves with AR coating, for temperatures up to 180 °C N - springsteel, black finished, for temperatures up to 250 °C H - stainless steel, for temperatures up to 400 °C	8MID30-1.5-H	10IBS43-30-1.5-H	30	1.5	125
	8MID30-1.5-N	10IBS43-30-1.5-N	30	1.5	125
	8MID34-2-AR	10IBS49-34-2-AR	34	2	111
	8MID34-2-H	10IBS49-34-2-H	34	2	111
	8MID36-2.5-N	10IBS50-36-2.5-N	36	2.5	106
	8MID37-2.5-N	10IBS53-37-2.5-N	37	2.5	100
	8MID40-2.5-N	10IBS60-40-2.5-N	40	2.5	90
	8MID42-2.5-N	10IBS58-42-2.5-N	42	2.5	91
	8MID45-2.5-H	10IBS64-45-2.5-H	45	2.5	84
	8MID45-2.5-N	10IBS64-45-2.5-N	45	2.5	84
	8MID50-2.5-N	10IBS70-50-2.5-N	50	2.5	75

Recommended Controllers

more info on www.standa.it

Four Axis Stepper/DC Motor Controller with Power Supply



8SMC4-USB-B9-B9

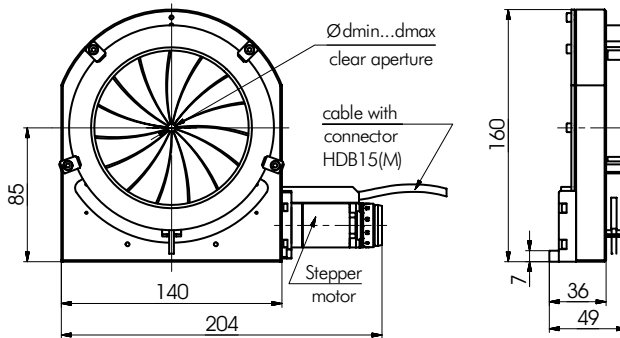
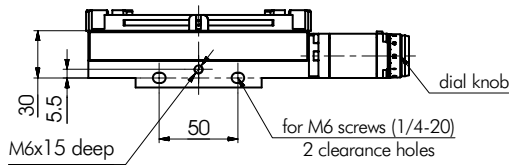
Motorized Iris Diaphragm

8MID70-130



- Smooth and fast operation
- Continuously adjustable light attenuation
- Compact design
- Control via PC through USB or RS232
- Adjustable inserts

8MID70-130 Motorized Iris Diaphragm Mount was developed due to interest in our previously presented motorized iris **8MID98-4**. Motorized Iris Diaphragm is designed for our small medium family, more information about fitted iris diaphragms can be found on 10-3 page. Unfortunately it is impossible to interchange iris diaphragms at home since every diaphragm has its own adapter ring and requires calibration.



SPECIFICATIONS

Closing speed (min to max)	3 sec
Stepper motor/gear	195:1
Limit switch	2, mechanical
Switch polarity	pushed is closed
Recommended controllers	8SMC4-USB

Temperature limits:

- AR** - leaves with AR coating, for temperatures up to 180 °C
- N** - springsteel, black finished, for temperatures up to 250 °C
- H** - stainless steel, for temperatures up to 400 °C

Model	Diaphragm used	dmax. aperture, mm	dmin. aperture, mm	average number of steps 1mm of aperture
8MID60-4-H	10IBS82-60-4-H	60	4	178
8MID60-4-N	10IBS82-60-4-N	60	4	178
8MID75-4-H	10IBS100-75-4-H	75	4	143
8MID75-4-N	10IBS100-75-4-N	75	4	143
8MID81-3-AR	10IBS110-81-3-AR	81	3	132
8MID90-3.5-AR	10IBS120-90-3.5-AR	90	3.5	122
8MID98-4-H	10IBS130-98-4-H	98	4	112
8MID98-4-N	10IBS130-98-4-N	98	4	112

Recommended Controllers

more info on www.standa.lt



2 axis Controller in box
8SMC4-USB-B9-2

Stepper/DC Motor Controller with USB Interface



Assembly kit
5AK-B9-B9

Assembly kit to fix two or more controller boxes together

Laser Beam Shutters

8MDS



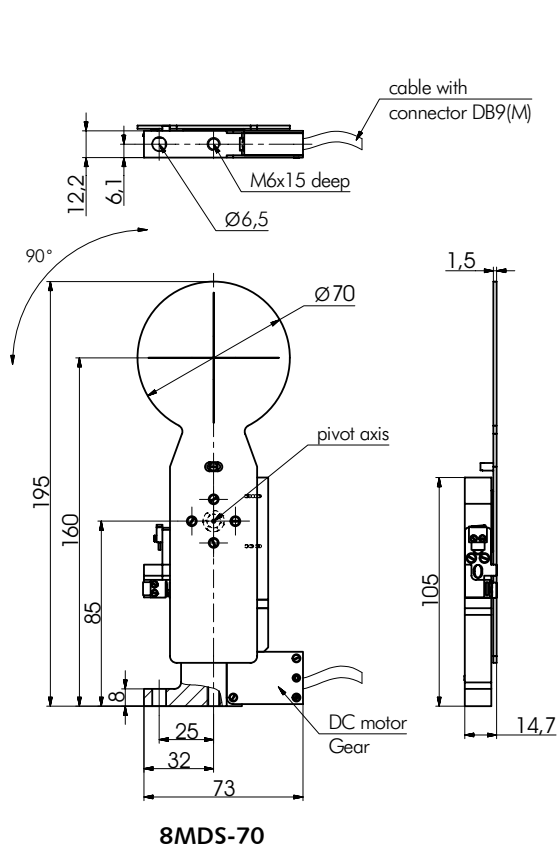
8MDS-70

- Ultra thin (only 15 mm)
- 25 - 100 mm Diameter Shutters Available

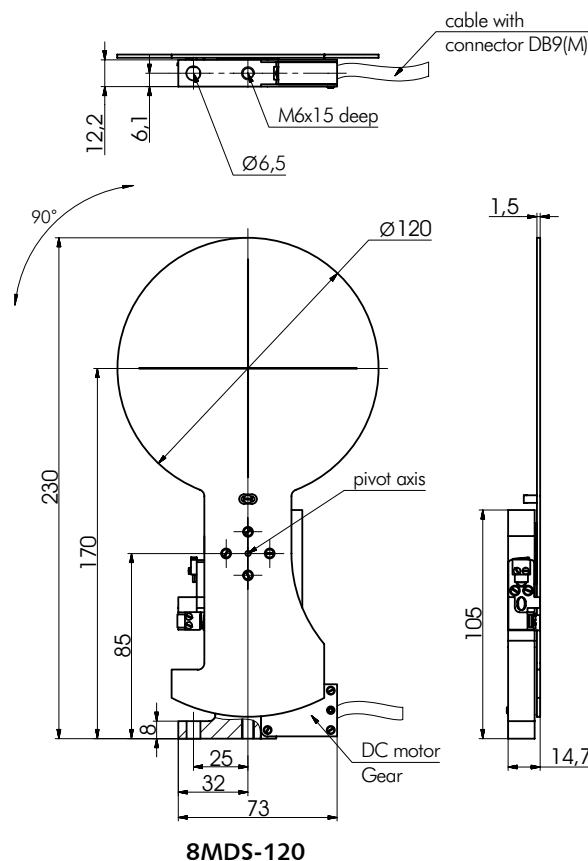
Laser Beam Shutters are designed in a very thin way thus enabling usage in extremely dense optical assemblies and narrow spaces. Our shutters are **equipped with DC motors**. Shutters are used to block laser beam and prevent equipment or eyes from taking damage due to unpredicted circumstances or laser malfunction. For instance, laboratory doors can be connected a series of shutters that will block the laser beam once doors are opened.

SPECIFICATIONS

Turning angle	90°
Turning time	1 sec
Cable	1.6 m length
Motor connector	DB9(M)
DC Motor size	Ø10 mm
Gear	4:1
Power	12V, 0.176 A
Limit switches	2 pc mechanical
Recommended controllers	8SMC4-USB



8MDS-70



8MDS-120

Recommended Controller

Stepper/DC Motor Controller with USB Interface



more info on www.standa.it

8SMC4-USB-B8-1
1 axis Controller in box

- 1 Optical Tables
- 2 Brackets & Rails
- 3 Base Mounts & Accessories
- 4 Optical Mounts
- 5 Optical Positioners
- 6 Base Positioners
- 7 Translation & Rotation Stages
- 8 Motorised Positioners & Controllers
- 9 Fine Adjustment Screws
- 10 Opto-Mechanics & Sets
- 11 Light Test & Measurement Instruments
- 12 Lasers & Laser Accessories

e-mail: sales@standa.it

www.standa.it

Phone: +370-5-2651474

Fax: +370-5-2651483